

Contrinex Safety Light Curtains Accessories

Safety Light Curtains Accessories Overview			
Part Number	Price	Description	Use With
YXL-0001-000	\$294.00	Laser alignment tool for safety light curtains, class 2 laser, range up to 50 meters, useable and clippable to YBB and YCA light curtains models, 2 AAA batteries included.	YBB Series YCA Series
YXW-0001-000	\$8.25	Safety light curtain mounting brackets for top and bottom mounting. Plastic. 2/pk.	
YXW-0003-000	\$8.25	Safety light curtain sliding T-nuts for side mounting. Metal. 2/pk. Ideal torque from M5x0.8 thread is 6 Nm (4.42 lb-ft, 53.1 lb-in.).	



[YXW-0001-000](#)



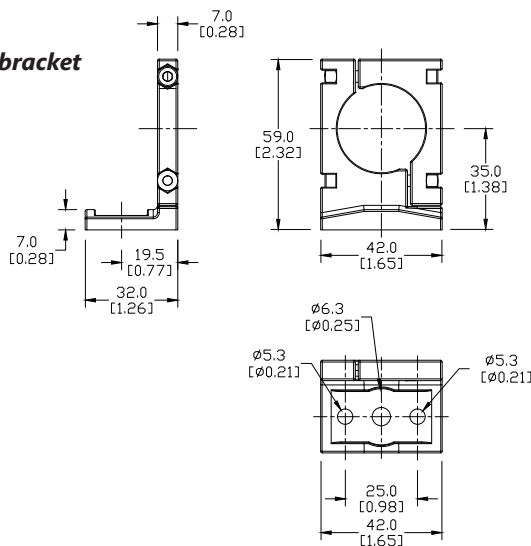
[YXW-0003-000](#)



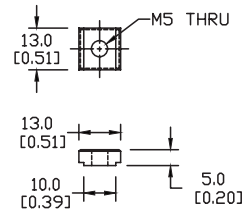
[YXL-0001-000](#)

Dimensions mm [in]

Mounting bracket



T-Nuts for side mounting

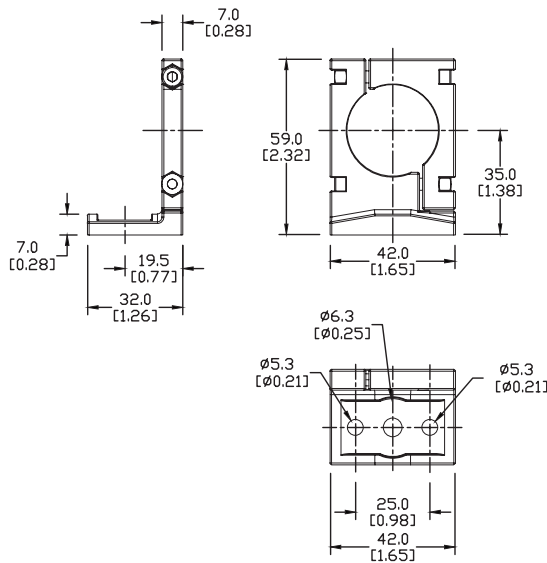


Contrinex Safety Light Curtains Accessories

Mounting bracket



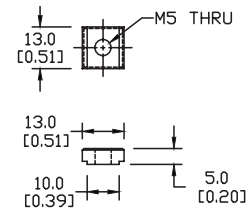
YXW-0001-000



T-Nuts for side mounting



YXW-0003-000



Laser Alignment Tool

- Clips on YBB and YCA Curtains/Barriers
- High quality lens for narrow output beam
- Up to 50m [164ft] range
- <1mW output power
- Standard AA batteries included

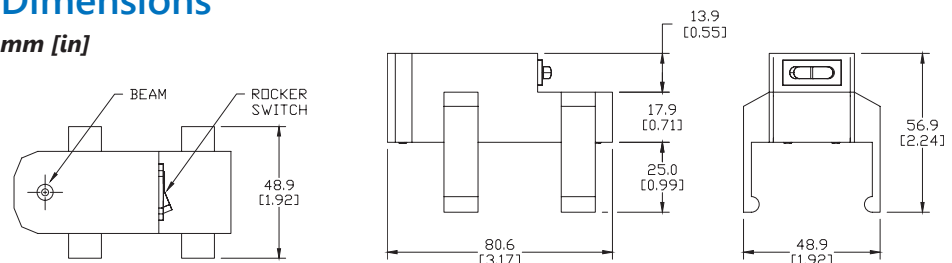


YXL-0001-000

Laser Alignment Tool YXL-0001-000 Specifications	
Supply Voltage Range	2.5 – 3.3 VDC
Laser Module Optical Output Power	<1mW (Class 2)
Range	50m (164ft)
Ambient Temperature Range	0-40°C (32-104°F)
Storage Temperature Range	0-60°C (32-140°F)
Wavelength	655nm ± 1%
Laser Beam Spot Size at 10m	< 10mm
Divergence Angle	1.1 mrad
Housing Material	PA with 30% fiberglass
Mounting	Clippable onto YBB / YCA devices
Weight	95g (0.21 lb)

Dimensions

mm [in]



See our website www.AutomationDirect.com for complete engineering drawings.

Warning: Safety products sold by AutomationDirect are Safety components only.

The purchaser/installer is solely responsible for the application of these components and ensuring all necessary steps have been taken to assure each application and use meets all performance and applicable safety requirements and/or local, national and/or international safety codes as required by the application. AutomationDirect cannot certify that our products used solely or in conjunction with other AutomationDirect or other vendors' products will assure safety for any application.

Any person using or applying any products sold by AutomationDirect is responsible for learning the safety requirements for their individual application and applying them, and therefore assumes all risks, and accepts full and complete responsibility for the selection and suitability of the product for their respective application. AutomationDirect does not provide design or consulting services, and cannot advise whether any specific application or use of our products would ensure compliance with the safety requirements for any application.

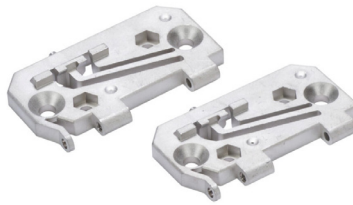


Contrinex Safety Light Curtains YBxS Accessories

Contrinex Safety Light Curtains YBxS Accessories					
Part Number	Price	Description	Material	Mounting	Use With
<u>YXW-0005-000</u>	\$11.00	Contrinex mounting bracket. Package of 2.	Glass fiber reinforced polyamide	Top and bottom mount	YBxS series light curtains
<u>YXW-0006-000</u>	\$23.00	Contrinex mounting bracket. Package of 2.	Stainless steel	Side mount	YBxS series light curtains
<u>YXW-0007-000</u>	\$21.00	Contrinex mounting bracket. Package of 2.	Stainless steel	Side or end mount	YBxS series light curtains



[YXW-0005-000](#)



[YXW-0006-000](#)



[YXW-0007-000](#)



Warning: Safety products sold by AutomationDirect are Safety components only.

The purchaser/installer is solely responsible for the application of these components and ensuring all necessary steps have been taken to assure each application and use meets all performance and applicable safety requirements and/or local, national and/or international safety codes as required by the application. AutomationDirect cannot certify that our products used solely or in conjunction with other AutomationDirect or other vendors' products will assure safety for any application.

Any person using or applying any products sold by AutomationDirect is responsible for learning the safety requirements for their individual application and applying them, and therefore assumes all risks, and accepts full and complete responsibility for the selection and suitability of the product for their respective application. AutomationDirect does not provide design or consulting services, and cannot advise whether any specific application or use of our products would ensure compliance with the safety requirements for any application.