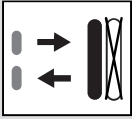


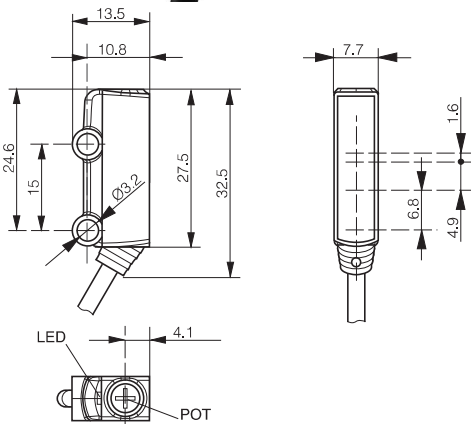


# PHOTOELECTRIC SENSOR BACKGROUND SUPPRESSION LHR-C12PA-PL



120 mm

- ✓ Subminiature housing
- ✓ Long operating distance
- ✓ Small visible light spot
- ✓ 3-turn potentiometer

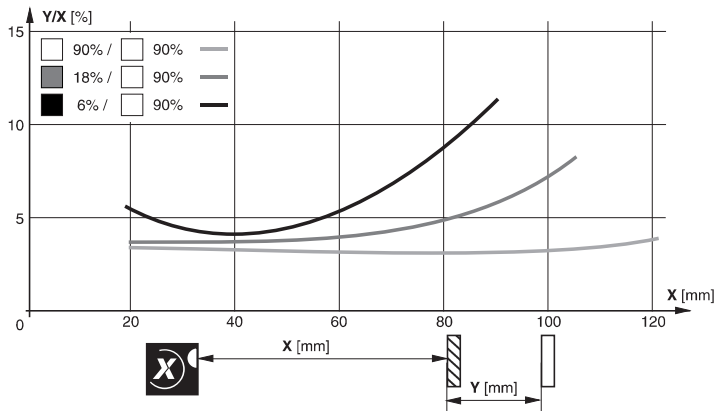


OPTICAL DATA		INTERFACE	
Sensing range typ. max.	2...120 mm <sup>1</sup>	Sensitivity adjustment	3-turn potentiometer
Operating range	20...90 mm <sup>1</sup>	Indicator led, green	Supply voltage state
Light source	Pinpoint LED, red 640 nm	Indicator led, yellow	Sensing state
Light spot size (distance)	Ø 3.5 mm (50 mm)	IO-Link	No

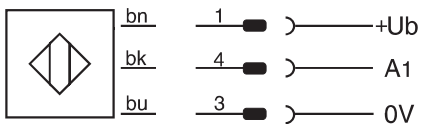
<sup>1</sup>Object with 90% reflectance (standard white paper)

ELECTRICAL DATA		MECHANICAL DATA	
Supply voltage range (Ub)	10...30 VDC	Enclosure rating	IP67
Residual ripple	≤ 5 Vpp	Ambient temperature operation	-20...+50°C
Output current	≤ 50 mA	Shock and vibration	IEC 60947-5-2
Signal PNP high/low	≤ (Ub-2.0 V)/ approx. 0 V	Weight (connector version)	26 g
Signal NPN high/low	Approx. Ub/ ≤ 2.0 V	Weight (cable version)	11 g
Power consumption (no load)	≤ 20 mA	Housing material	ABS
Response time	≤ 0.6 ms	Window material	PMMA
Switching frequency	≤ 800 Hz	Connection cable	PVC, 2 m, 3-wire
Short circuit protection	✓	Connector type	PVC, 0.2 m + M8 3-pin
Voltage reversal protection	✓		

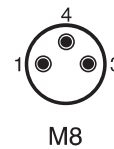
## BACKGROUND SHIFT



## WIRING DIAGRAM



## PIN ASSIGNMENT



## AVAILABLE TYPES

Part number	Part reference	Polarity	Connection	Output (A)
628 000 679	LHR-C12PA-PLK-303	PNP	Cable, 3-wire	Light-on
628 000 680	LHR-C12PA-PLV-303	PNP	Cable with connector M8 3-pin	Light-on
628 000 681	LHR-C12PA-PLK-301	NPN	Cable, 3-wire	Light-on
628 000 682	LHR-C12PA-PLV-301	NPN	Cable with connector M8 3-pin	Light-on

Note: additional suffix can appear to indicate a revision version or a special version.

These proximity switches **must not be used** in applications where the **safety of people** is dependent on their functioning. Terms of delivery and rights to change design reserved.