



Photoelectric Sensor
D SERIES
DM-18T□□

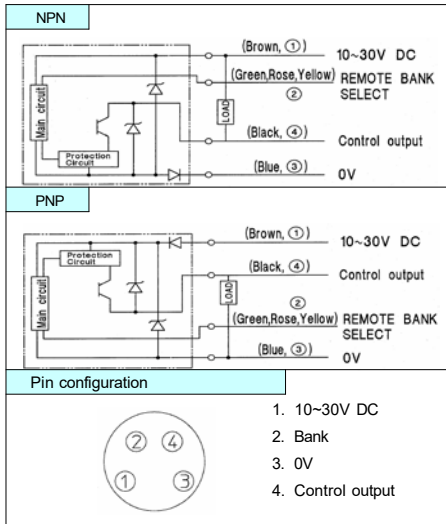
INSTRUCTION MANUAL

- Confirm if the item meets your needs.
- Before the use, you should first thoroughly read this manual and operate correctly as mentioned.
- You should keep this manual at hand for proper use.

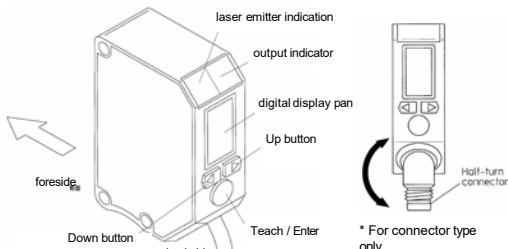
Specification

| | | |
|-------------------------------|--|---|
| Type | Cable type DM-18T (N,P) | M8 Connector type DM-18TC (N,P) |
| Scanning range | 18mm ± 2mm | |
| Supply voltage | DC10 ~ 30V including 10% ripple (P-P) | |
| Current consumption | 40mA max. | |
| Response time | Mark mode: 0.25/0.5/1.2ms selectable | Color mode: 0.8/1.6/4ms selectable |
| Timer | Off delay / On delay / One shot delay (10msec increment : 0-1,000msec, 1sec increment for 1-10sec) | |
| Light source | R (634nm) / G (517nm) / B (469nm) | |
| | Mark mode: 1 color (selected by teaching) Color mode: RGB automatic selection | |
| Indicator | Output indicator (Orange LED), Stable indicator (Green LED) | |
| Digital indicator | 7 segment, 3 digit LED Green: Bank No. Red: Function, Status | |
| Control output | NPN/PNP Open collector 100mA max./ DC30V | |
| Operation mode | Light ON / Dark ON selectable | |
| Teaching | Mark mode: 2 point teach / Auto teach | Color mode: 1 point teach |
| Bank | 8 bank | |
| Protection category/ material | IEC IP67 / Housing : heat-resistant ABS (antibacterial) Front cover : PMMA Button : TEEE | |
| Weight | Cable type: about 75g / Connector type: about 20g | |

Input/Output Circuit Design



Parts Name



Turn the connector as Black Arrow indicates, otherwise you will damage the connector. The damage will be unreparable.

Status Indicator

| | Color mode | Mark mode |
|--------------------------|--|--|
| RUN mode | Indicates matching level compare to teaching color. | Indicates amount of incoming light |
| Thresh level adjust mode | Indicate thresh level. After teaching, thresh level is 80. | Indicate thresh level. After teaching, thresh level is 50. |
| Function select mode | Indicate selectable function. | |

Warnings

For proper use

- Warm-up period (approx. 100 msec) must be secured.
- Should avoid using the sensor outside or at the place where receiver is influenced by environmental illuminance directly.
- Gaps in indicated values and detection features are possible due to dispersion.
- Use of controls or adjustments or performance of procedures other than the specified herein may result in hazardous radiation exposure.

! Must not use this item as safety equipment for the purpose of human body protection.

Functions

