



Photoelectric Sensor  
**D SERIES**  
 DM-18T□□

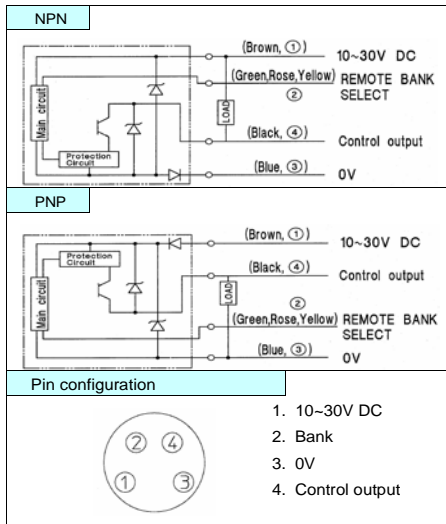
**INSTRUCTION MANUAL**

- Confirm if the item meets your needs.
- Before the use, you should first thoroughly read this manual and operate correctly as mentioned.
- You should keep this manual at hand for proper use.

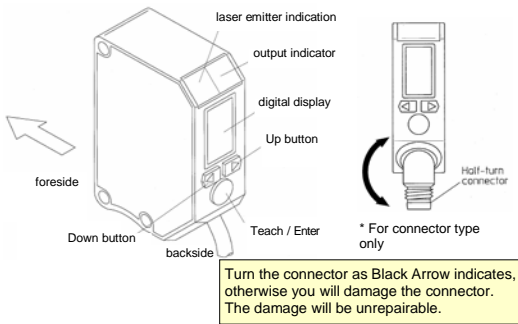
**Specification**

Type	Cable type <b>DM-18T (N,P)</b>	M8 Connector type <b>DM-18TC (N,P)</b>
Scanning range	18mm ± 2mm	
Supply voltage	DC10 ~ 30V including 10% ripple (P-P)	
Current consumption	40mA max.	
Response time	Mark mode: 0.25/0.5/1.2ms selectable	Color mode: 0.8/1.6/4ms selectable
Timer	Off delay / On delay / One shot delay (10msec increment : 0-1,000msec, 1sec increment for 1-10sec)	
Light source	R (634nm) / G (517nm) / B (469nm)	
	Mark mode: 1 color (selected by teaching)	Color mode: RGB automatic selection
Indicator	Output indicator (Orange LED), Stable indicator (Green LED)	
Digital indicator	7 segment, 3 digit LED Green: Bank No. Red: Function, Status	
Control output	NPN/PNP Open collector/100mA max./ DC30V	
Operation mode	Light ON / Dark ON selectable	
Teaching	Mark mode: 2 point teach / Auto teach	Color mode: 1 point teach
Bank	8 bank	
Protection category/ material	IEC IP67 / Housing : heat-resistant ABS (antibacterial) Front cover : PMMA Button : TEEE	
Weight	Cable type: about 75g / Connector type: about 20g	

**Input/Output Circuit Design**



**Parts Name**



**Status Indicator**

	Color mode	Mark mode
RUN mode	Indicates matching level compare to teaching color.	Indicates amount of incoming light
Thresh level adjust mode	Indicate thresh level. After teaching, thresh level is 80.	Indicate thresh level. After teaching, thresh level is 50.
Function select mode	Indicate selectable function.	

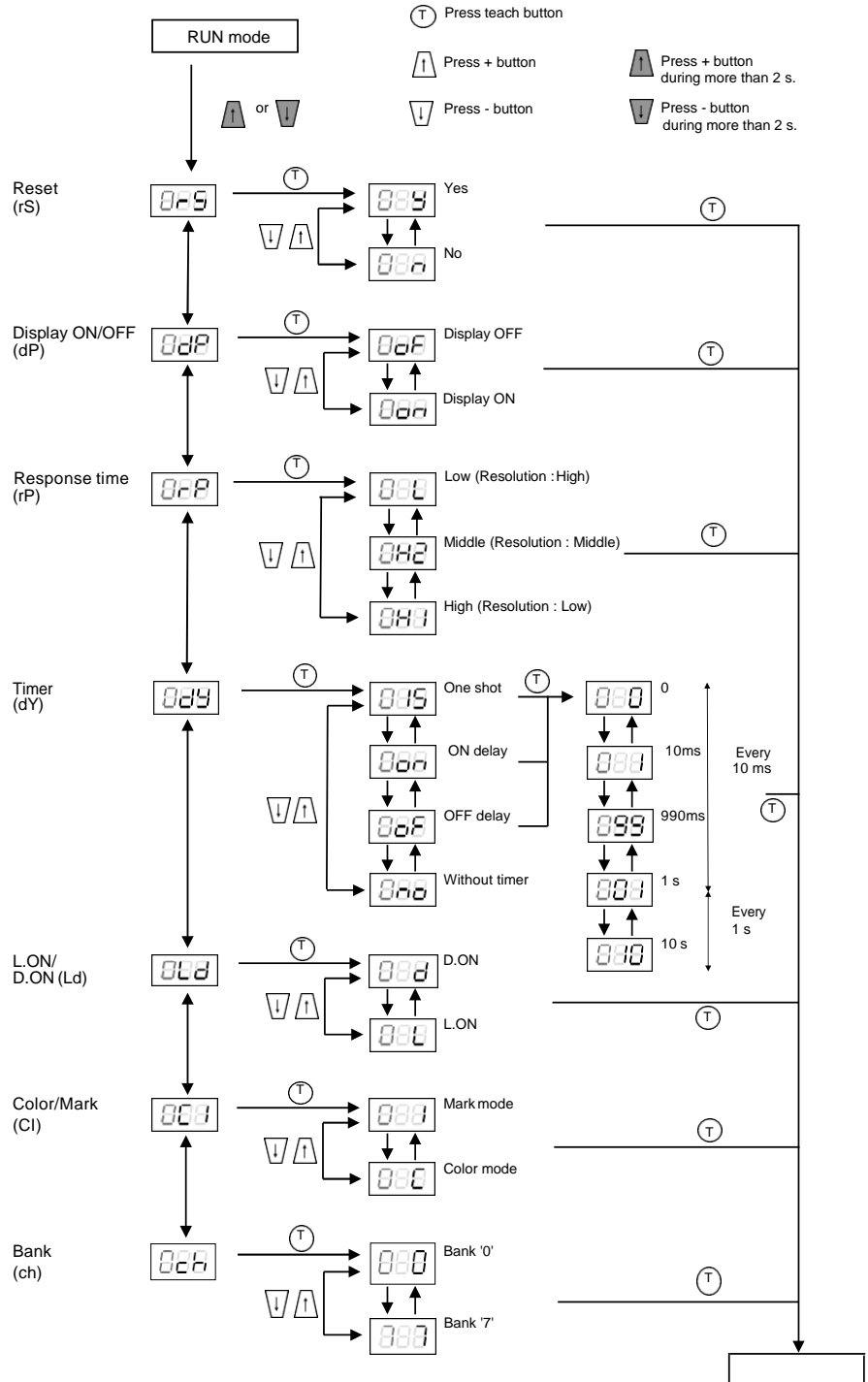
**Warnings**

**For proper use**

- Warm-up period (approx. 100 msec) must be secured.
- Should avoid using the sensor outside or at the place where receiver is influenced by environmental illuminance directly.
- Gaps in indicated values and detection features are possible due to dispersion.
- Use of controls or adjustments or performance of procedures other than the specified herein may result in hazardous radiation exposure.

**! Must not use this item as safety equipment for the purpose of human body protection.**

**Functions**



Response time, L.ON/D.ON, Color/Mark mode can be set for each Bank.

