

WIRING		
PIN #		PIN #
1	-----	1
2	-----	2
3	-----	3
4	-----	4
5	-----	5

M12x1  
Female

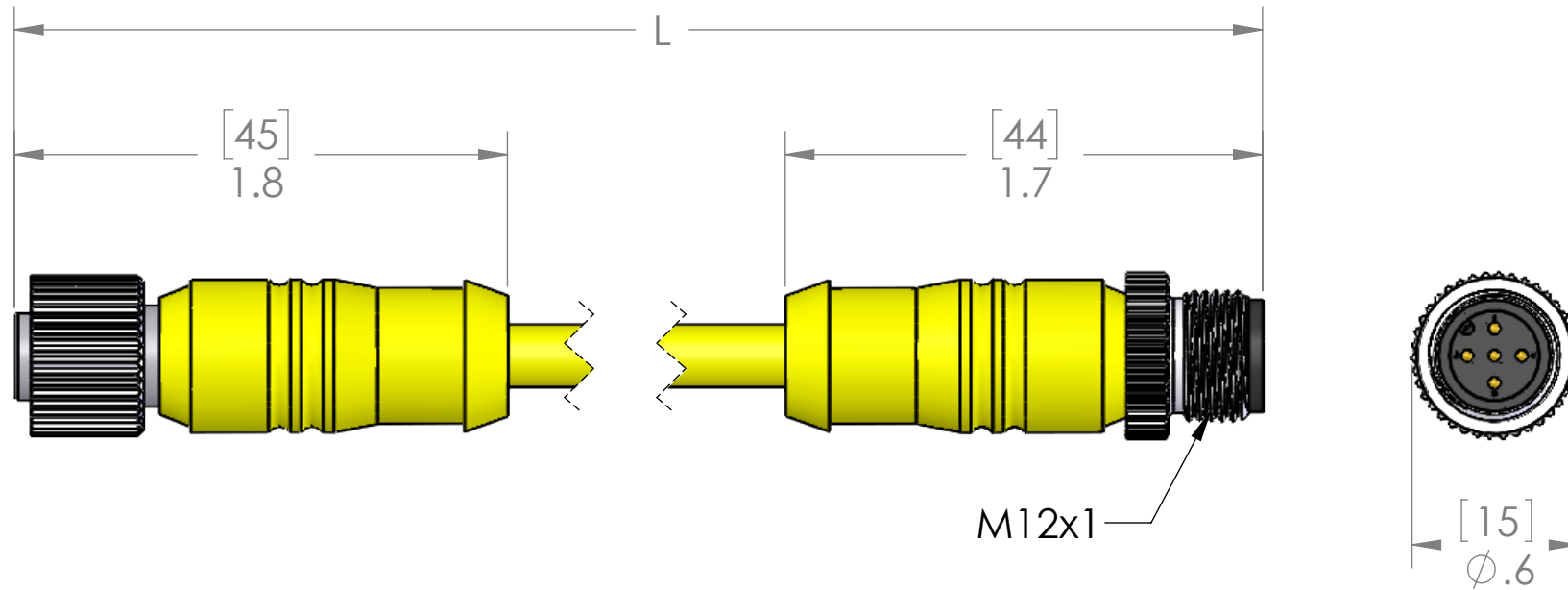


TABLE A		
P/N	L	STD?
MDC-5MFP-0.5M	20" [0.5M]	YES
MDC-5MFP-1M	40" [1M]	YES
MDC-5MFP-1.5M	59" [1.5M]	NO
MDC-5MFP-2M	79" [2M]	YES
MDC-5MFP-3M	118" [3M]	YES
MDC-5MFP-4M	157" [4M]	YES
MDC-5MFP-5M	197" [5M]	YES
MDC-5MFP-6M	236" [6M]	YES
MDC-5MFP-8M	315" [8M]	NO
MDC-5MFP-10M	393" [10M]	YES
MDC-5MFP-15M	590" [15M]	YES
MDC-5MFP-20M	786" [20M]	NO
MDC-5MFP-25M	983" [25M]	NO
MDC-5MFP-30M	1179" [30M]	NO

PARTS LISTED AS NOT BEING STANDARD  
MAY HAVE MINIMUM ORDER QUANTITIES

MATERIALS	
BODY:	YELLOW PVC
CONTACTS:	GOLD PLATED COPPER ALLOY
CABLE:	
STYLE:	AWM
AWG:	22 AWG
JACKET:	YELLOW PVC
VOLTAGE:	600V
SHIELD:	NO
COUPLING:	NICKEL PLATED BRASS
INSERT:	POLYAMIDE
O-RING:	FPM
APPROVALS	
US:	UL LISTED
CANADA:	C-UL LISTED
ROHS:	YES
CE & UKCA:	YES
RATINGS	
PROTECTION CLASS:	UL TYPE 4 & 12, IEC IP69

**PROPRIETARY AND CONFIDENTIAL**  
THE INFORMATION CONTAINED IN THIS  
DRAWING IS THE SOLE PROPERTY OF  
MENCOM CORPORATION. ANY  
REPRODUCTION IN PART OR AS A WHOLE  
WITHOUT THE WRITTEN PERMISSION OF  
MENCOM CORPORATION IS  
PROHIBITED.

VOLTS	300V
AMPS	4A
TEMP:	105°C

UNLESS OTHERWISE SPECIFIED:	DRAWN BY	ADM
DIMENSIONS ARE IN INCHES AND [MM]	DRAWN DATE	06/15/2023
	CHECKED BY	JJH
	CHECK DATE	06/19/2023
MATERIAL	COMMENTS:	
FINISH		
DO NOT SCALE DRAWING		

MENCOM CORPORATION		
TITLE: 5 PL MDC M-F EXT		
SIZE <b>B</b>	DWG. NO. MDC-5MFP-ZZ	REV <b>B</b>
SCALE: 1.5:1	WEIGHT:	SHEET 1 OF 1