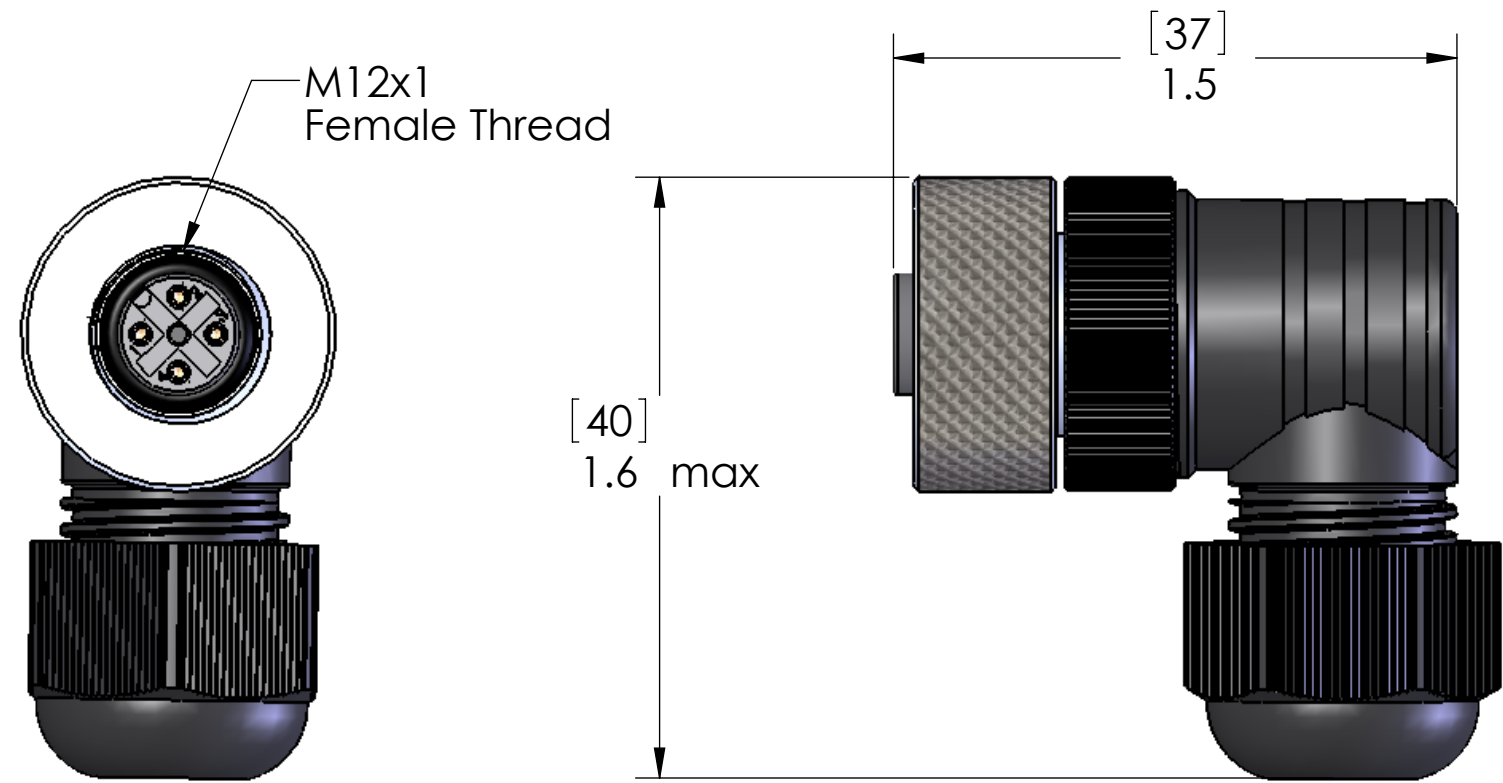


REVISIONS			
REV.	DESCRIPTION	DATE	APPROVED
A	REDRAWN IN SW	3/15/2006	



Cable range: 0.157" - 0.315" (4 - 8mm)
Wires connected via screw terminals

MATERIALS:	
BODY:	POLYAMIDE
COUPLING:	NICKEL COPPER ALLOY
CONTACTS:	GOLD PLATED COPPER ALLOY
GROMMET:	NBR
SPECIFICATIONS:	
VOLTS:	250V
AMPS:	4A
SEAL:	IP67

PROPRIETARY AND CONFIDENTIAL
THE INFORMATION CONTAINED IN THIS DRAWING IS THE SOLE PROPERTY OF MENCOM CORPORATION. ANY REPRODUCTION IN PART OR AS A WHOLE WITHOUT THE WRITTEN PERMISSION OF MENCOM CORPORATION IS PROHIBITED.

UNLESS OTHERWISE SPECIFIED:		NAME
DIMENSIONS ARE IN INCHES AND [MM]		BEM
		DRAWN
		CHECKED
		ENG APPR.
		MFG APPR.
		Q.A.
		COMMENTS:
MATERIAL		
FINISH		
DO NOT SCALE DRAWING		

MENCOM CORPORATION		
TITLE:		
SIZE	DWG. NO.	REV
B	MDC-4FP-FW09-R	A
SCALE: 2:1	WEIGHT:	SHEET 1 OF 1