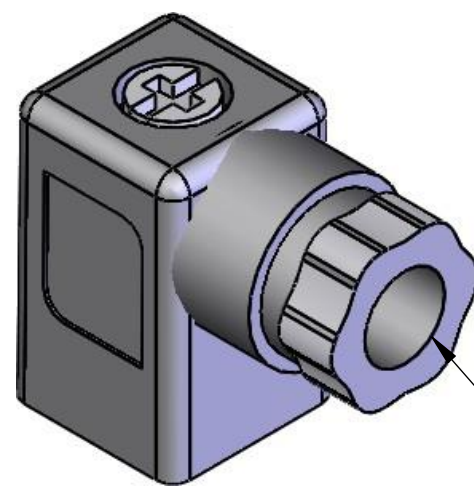
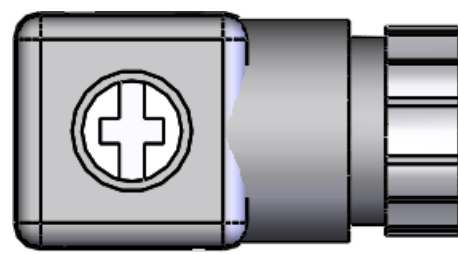
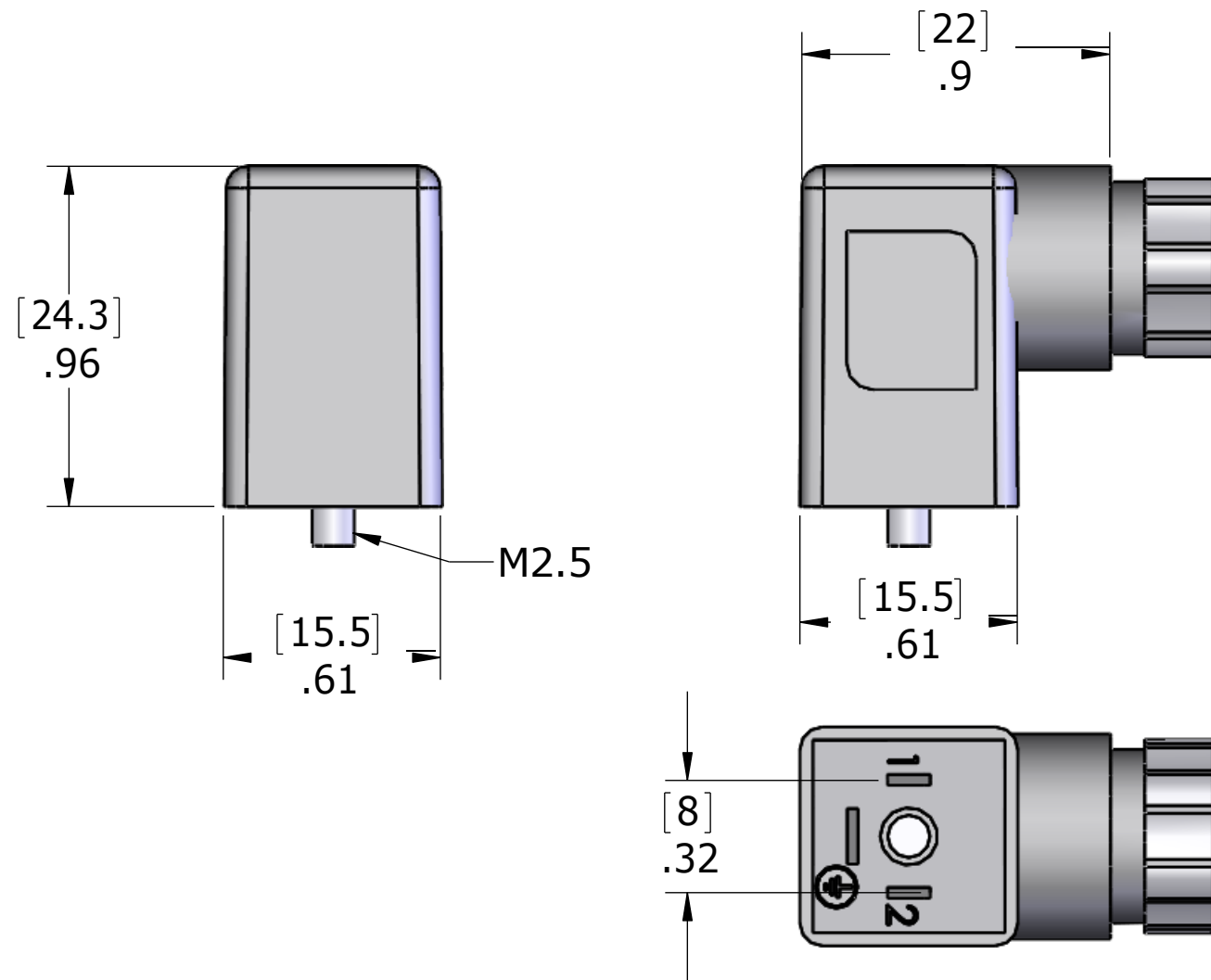


REVISIONS			
REV.	DESCRIPTION	DATE	APPROVED
A	DRAWN IN SW	12/3/2013	BEM



6 - 7mm cable range



RATINGS:	
VOLTAGE:	250 VAC/VDC
AMPERAGE:	6A MAX
WIRE AWG:	18AWG MAX
CABLE DIA.:	n/a
TEMPERATURE:	-40°C / +80°C
MATERIALS:	
COLOR:	BLACK
BODY:	POLYAMIDE, GF
CONTACT:	COPPER ALLOY SILVER PLATED
GASKET:	THERMOPLASTIC
SCREW:	STEEL ZINC PLATE
PROTECTION:	IP65

GASKET IS INCLUDED BUT NOT SHOWN ON DRAWING FOR CLARITY

PROPRIETARY AND CONFIDENTIAL
 THE INFORMATION CONTAINED IN THIS DRAWING IS THE SOLE PROPERTY OF MENCOM CORPORATION. ANY REPRODUCTION IN PART OR AS A WHOLE WITHOUT THE WRITTEN PERMISSION OF MENCOM CORPORATION IS PROHIBITED.

UNLESS OTHERWISE SPECIFIED:		NAME	TITLE: DIN C W/O ELECT PG 7 BLK 2+E	
DIMENSIONS ARE IN INCHES AND [MM]		DRAWN		JJH
		CHECKED		
		ENG APPR.		
		MFG APPR.		
MATERIAL		Q.A.		
FINISH		COMMENTS:		
DO NOT SCALE DRAWING		SIZE DWG. NO. B VCN-027-00 A		
		SCALE: 2:1	WEIGHT: SHEET 1 OF 1	

8 7 6 5 4 3 2 1

D
C
B
A

D
C
B
A

8 7 6 5 4 3 2 1