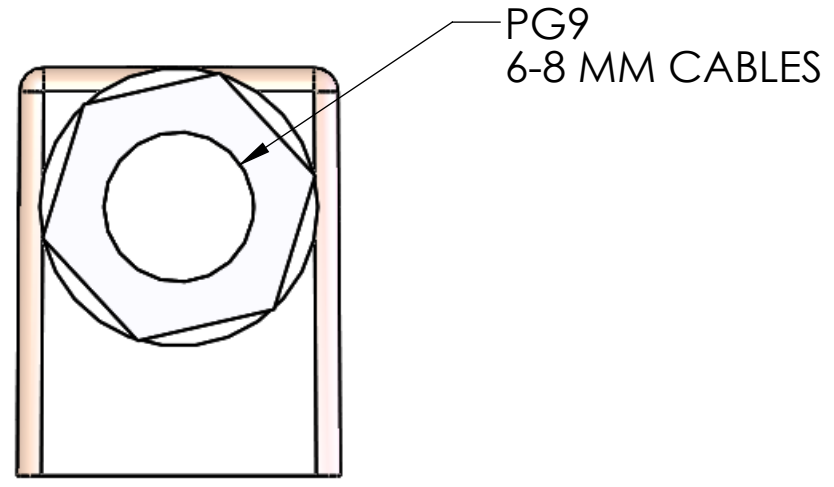
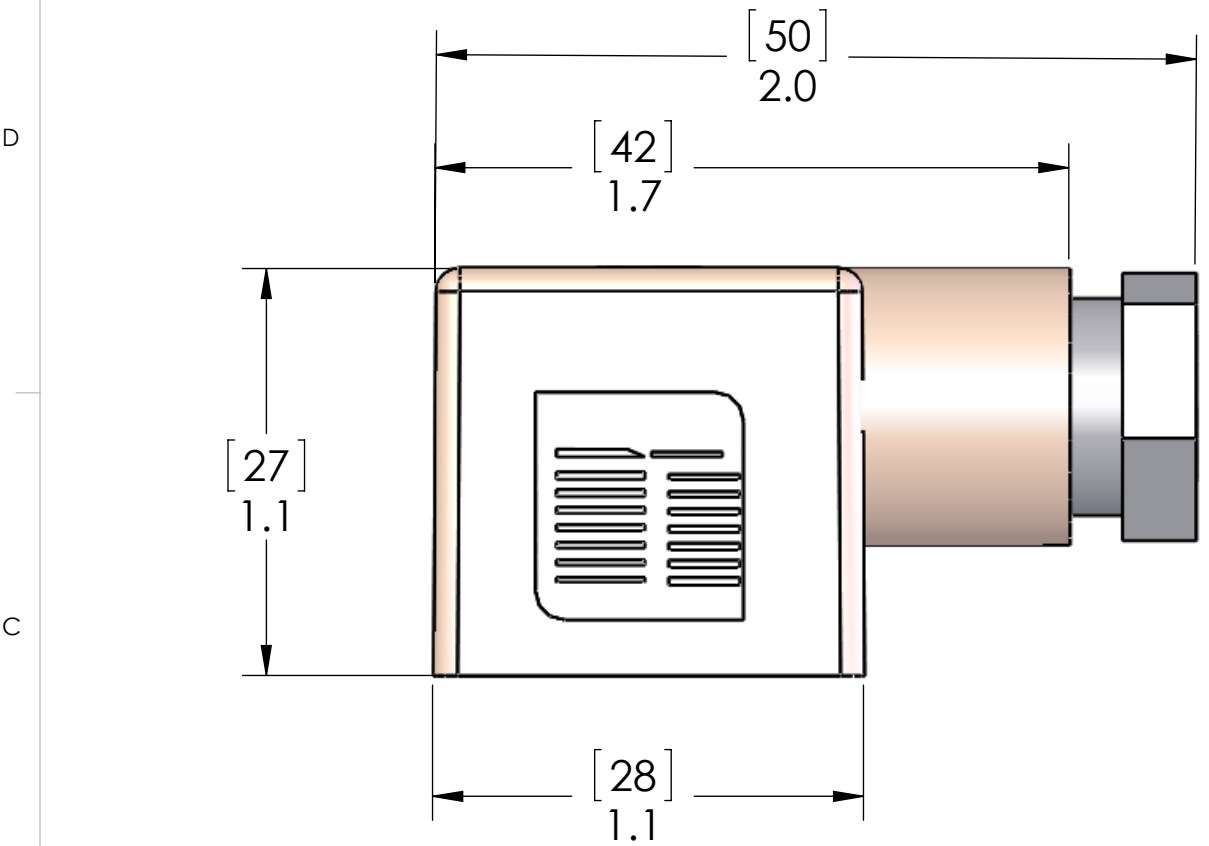
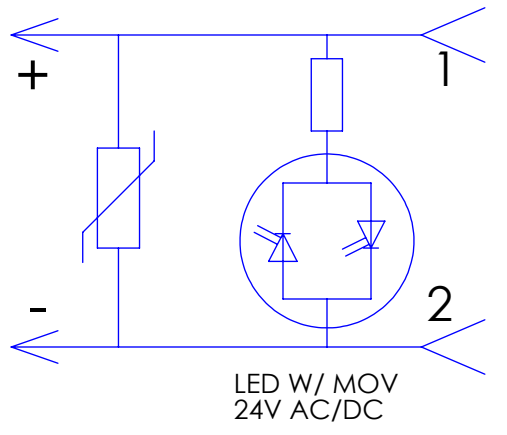
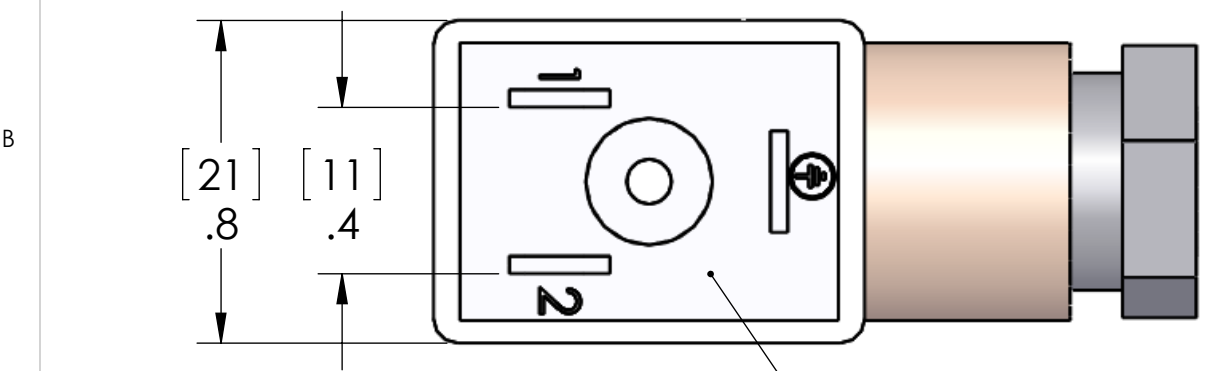


REVISIONS			
REV.	DESCRIPTION	DATE	APPROVED
A	DRAWN IN SW	11/12/2013	BEM



GASKET AND SCREW ARE INCLUDED BUT NOT SHOWN FOR CLARITY



ORIENTAION OF PINPLATE AS SHOWN

MATERIALS:	
COLOR:	BLACK
BODY:	POLYAMIDE
CONTACT:	COPPER ALLOY SILVER PLATED
GASKET:	THERMOPLASTIC
SCREW:	STEEL ZINC PLATE
TEMP:	-40°C TO +80°C
PROTECTION:	IP65

**PROPRIETARY AND CONFIDENTIAL**  
THE INFORMATION CONTAINED IN THIS DRAWING IS THE SOLE PROPERTY OF MENCOM CORPORATION. ANY REPRODUCTION IN PART OR AS A WHOLE WITHOUT THE WRITTEN PERMISSION OF MENCOM CORPORATION IS PROHIBITED.

UNLESS OTHERWISE SPECIFIED:		NAME
DIMENSIONS ARE IN INCHES AND [MM]	DRAWN	JJH
	CHECKED	
	ENG APPR.	
	MFG APPR.	
	Q.A.	
	COMMENTS:	
MATERIAL		
FINISH		
DO NOT SCALE DRAWING		

MENCOM CORPORATION		
TITLE:		
I/S FORM B w/LED AND MOV		
SIZE	DWG. NO.	REV
<b>B</b>	VDG-029-00	<b>A</b>
SCALE: 2:1	WEIGHT:	SHEET 1 OF 1