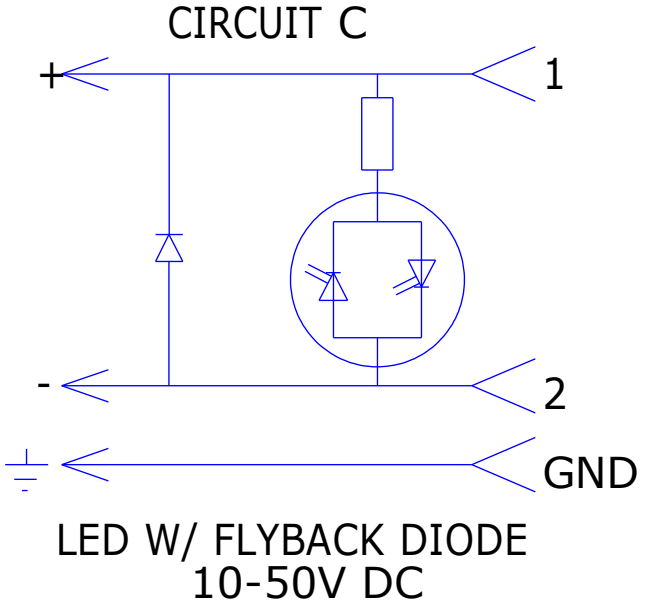
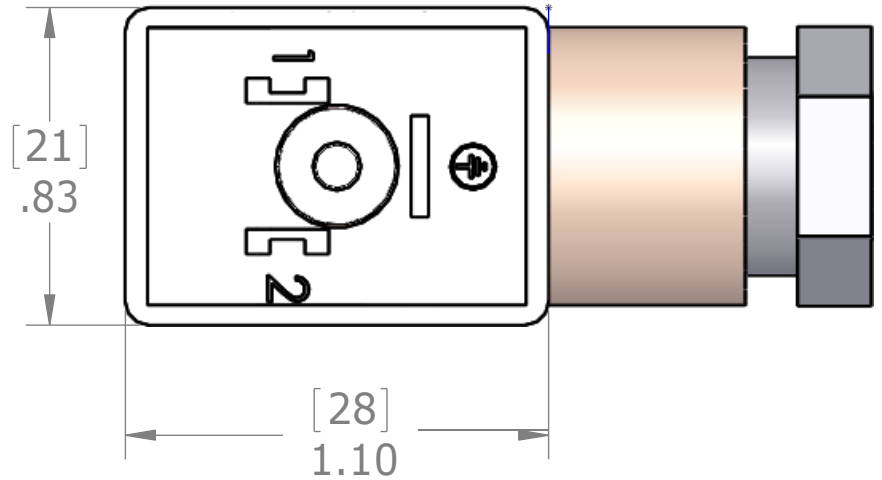
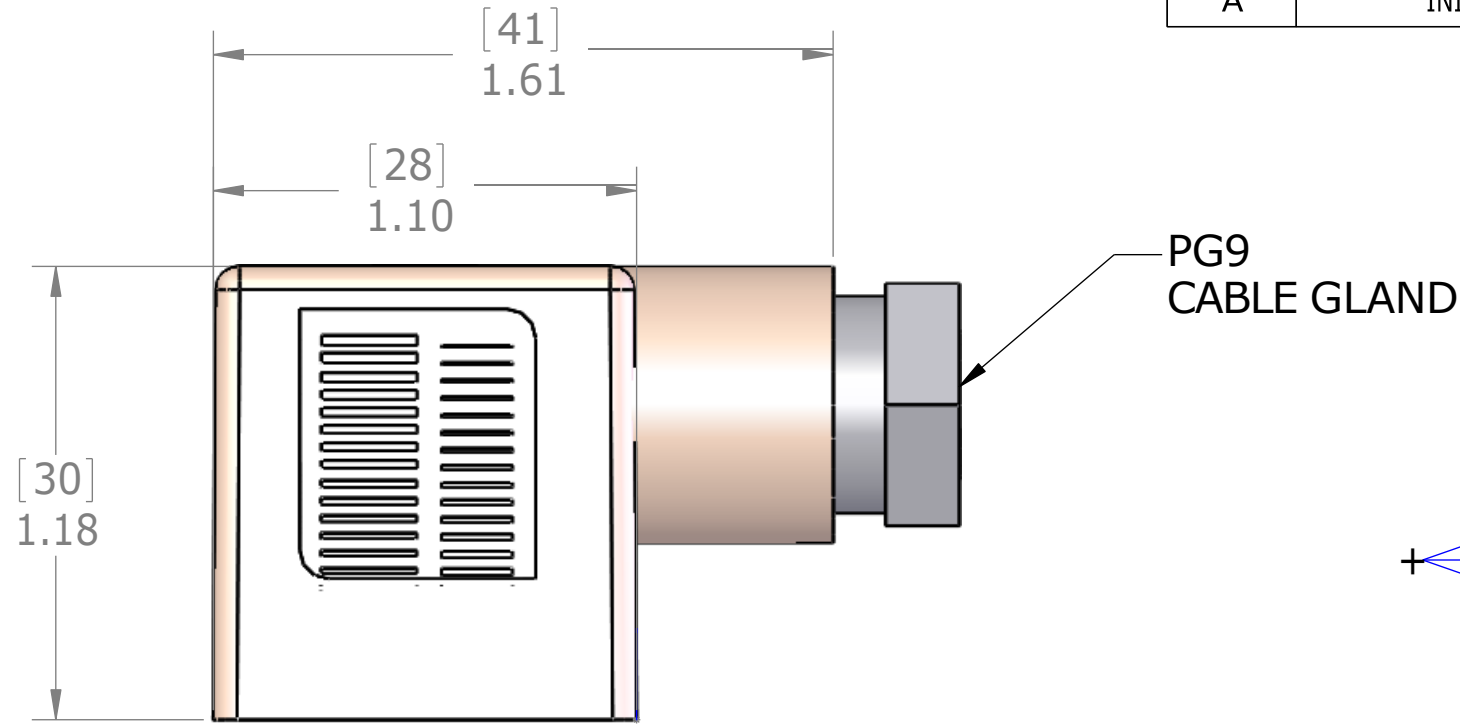


REVISIONS			
REV.	DESCRIPTION	DATE	APPROVED
A	INITIAL RELEASE IN SW	1/19/2011	



MATERIALS:	
BODY:	POLYAMIDE
CONTACT:	COPPER ALLOY SILVER PLATED
INSERT:	POLYAMIDE
GASKET:	THERMOPLASTIC
SCREW:	STEEL ZINC PLATE
TEMP:	-40°C TO +80°C
PROTECTION:	IP65
CABLE RANGE:	6-8mm
AMPERAGE	10A

**PROPRIETARY AND CONFIDENTIAL**  
THE INFORMATION CONTAINED IN THIS DRAWING IS THE SOLE PROPERTY OF MENCOM CORPORATION. ANY REPRODUCTION IN PART OR AS A WHOLE WITHOUT THE WRITTEN PERMISSION OF MENCOM CORPORATION IS PROHIBITED.

UNLESS OTHERWISE SPECIFIED:		NAME
DIMENSIONS ARE IN INCHES & [MM]	DRAWN	CAM
	CHECKED	
	ENG APPR.	
	MFG APPR.	
	Q.A.	
MATERIAL	COMMENTS:	
FINISH		
DO NOT SCALE DRAWING		

TITLE:		
SIZE <b>B</b>	DWG. NO. VBC-029-00	REV <b>A</b>
SCALE: 2:1	WEIGHT:	SHEET 1 OF 1