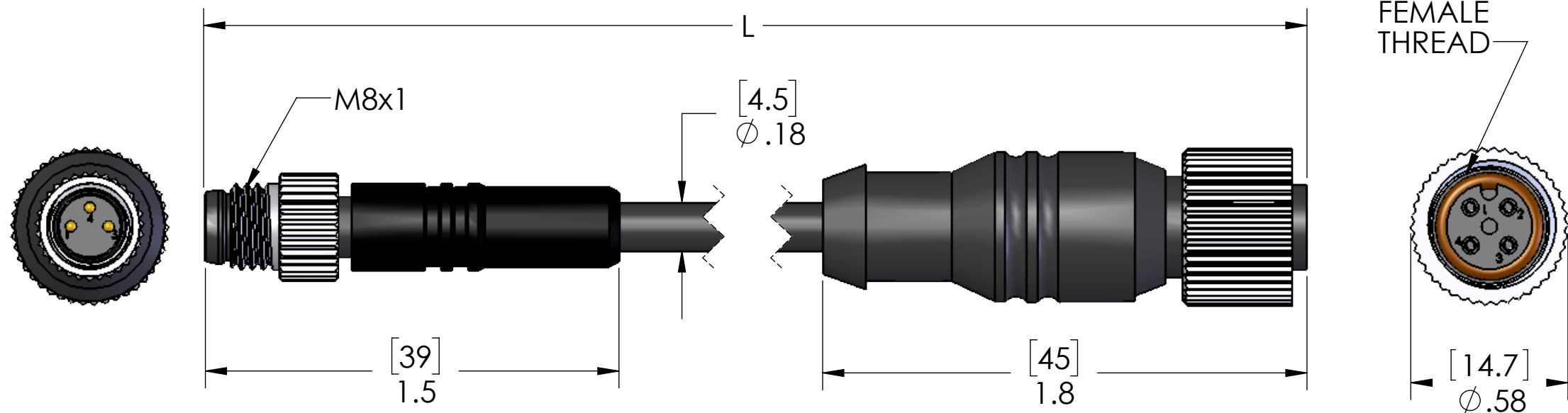


MDC	WIRING	NAN
FEMALE		MALE
PIN #		PIN #
1	-----	1
3	-----	3
4	-----	4



P/N	L	STD?
NANTDC-3MFP-1M	40"	YES
NANTDC-3MFP-2M	79"	YES
NANTDC-3MFP-3M	118"	NO
NANTDC-3MFP-4M	157"	NO
NANTDC-3MFP-5M	197"	YES
NANTDC-3MFP-6M	236"	NO
NANTDC-3MFP-8M	315"	NO
NANTDC-3MFP-10M	393"	YES

PARTS LISTED AS NOT BEING STANDARD
MAY HAVE MINIMUM ORDER QUANTITIES

MATERIALS	
BODIES:	BLACK PVC
CONTACTS:	GOLD PLATED COPPER ALLOY
CABLE:	24/3 AWM STYLE BLACK JACKET
COUPLINGS:	NICKEL PLATED BRASS
INSERTS:	POLYAMIDE
O-RING:	FPM

PROPRIETARY AND CONFIDENTIAL
THE INFORMATION CONTAINED IN THIS DRAWING IS THE SOLE PROPERTY OF MENCOM CORPORATION. ANY REPRODUCTION IN PART OR AS A WHOLE WITHOUT THE WRITTEN PERMISSION OF MENCOM CORPORATION IS PROHIBITED.

VOLTS	60V
AMPS	3A
TEMP:	105°C

UNLESS OTHERWISE SPECIFIED:	DRAWN BY	ADM
DIMENSIONS ARE IN INCHES AND [MM]	DRAWN DATE	09/22/2016
	CHECKED BY	
	CHECK DATE	
	COMMENTS:	
MATERIAL		
FINISH		
DO NOT SCALE DRAWING		

MENCOM CORPORATION		
TITLE:		
SIZE	DWG. NO.	REV
B	NANTDC-3MFP-ZZ	B
SCALE: 2:1	WEIGHT:	SHEET 1 OF 1