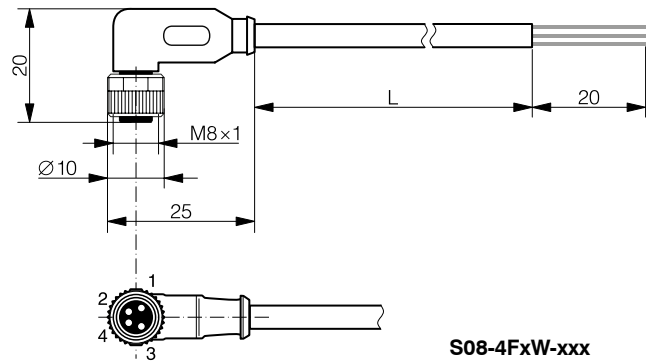
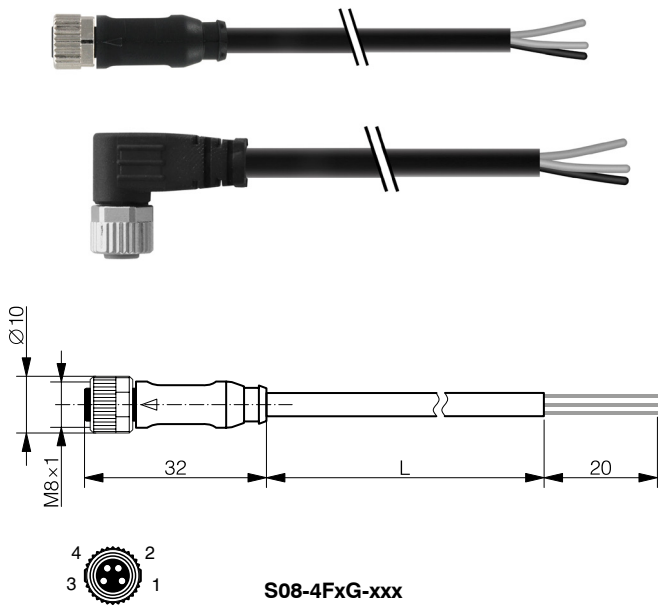


- ✓ Screw lock type, M8 x 1 thread
- ✓ Straight or right-angle (90°) versions
- ✓ PUR cable, for oily environments or trailing chain



TECHNICAL DATA*

Jacket material	See table "Available types" below	Insulation group	IEC 60664-1, category I
Connector material	Nickel-plated zinc	Enclosure rating	IP68
Rated voltage	max. 50/60 VAC/VDC	Ambient temperature range	-25...+80°C (90°C max. 10h)
Rated current per contact	max. 4.0 A	Wire structure	0.25 mm ²
Rated surge voltage	max. 1.5 kV	Tightening torque	0.4 Nm

*according to DIN EN 61076-2-101

AVAILABLE TYPES

Part number	Part reference	Type	Cable color	Jacket material	Outer cable Ø	Length**
605-002-378	S08-4FUW-020	right-angle	black	PUR	4.5 mm	2 m
605-002-372	S08-4FUG-020	straight	black	PUR	4.5 mm	2 m
605-002-379	S08-4FUW-050	right-angle	black	PUR	4.5 mm	5 m
605-002-373	S08-4FUG-050	straight	black	PUR	4.5 mm	5 m
605-002-374	S08-4FUG-100	straight	black	PUR	4.5 mm	10 m
623 100 005	S08-4FVW-020	right angle	black	PVC	4 mm	2 m
623 100 027	S08-4FVW-050	right angle	black	PVC	4 mm	5 m
623 100 023	S08-4FVW-100	right angle	black	PVC	4 mm	10 m
623 100 006	S08-4FVG-020	straight	black	PVC	4 mm	2 m
623 100 028	S08-4FVG-050	straight	black	PVC	4 mm	5 m
623 100 013	S08-4FVG-100	straight	black	PVC	4 mm	10 m

Note: additional suffix can appear to indicate a revision version or a special version.

**other lengths upon request

Operators of the products we supply are responsible for compliance with measures for the protection of persons. The use of our equipment in applications where the safety of persons might be at risk is only authorized if the operator observes and implements separate, appropriate and necessary measures for the protection of persons and machines. Terms of delivery and rights to change design reserved. Please check our website for updates.