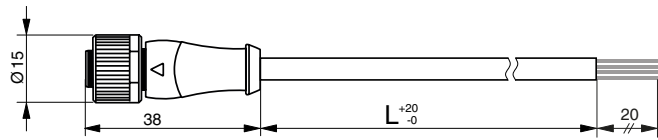
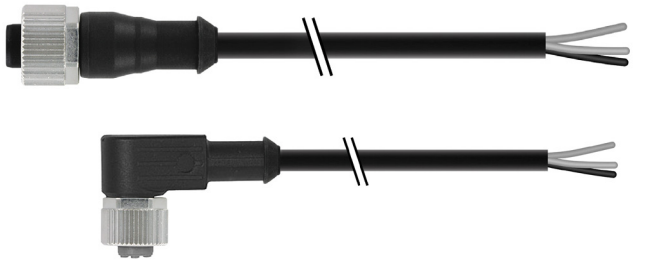
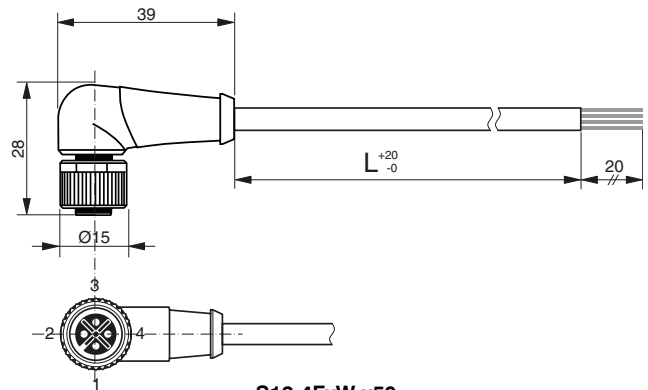


- ✓ Screw lock type, M12 x 1 thread
- ✓ Straight or right-angle (90°) versions
- ✓ PUR cable, for oily environments or trailing chain



S12-4FxG-x50



S12-4FxW-x50

### TECHNICAL DATA\*

Jacket material	See table "Available types" below	Insulation group	IEC 60664-1, category I
Connector material	Nickel-plated zinc	Enclosure rating	IP 68 / IP 69K
Rated voltage	250 V AC/DC	Ambient temperature range	PUR: -25...+80°C (90°C max 10h) PVC: -5...+80°C
Rated current per contact	max. 4.0 A	Wire structure	0,34 mm <sup>2</sup>
Rated surge voltage	max. 2.5 kV	Tightening torque	0,6 Nm

### AVAILABLE TYPES

Part number	Part reference	Type	Cable color	Jacket material	Outer cable Ø	Length**
605-002-386	S12-4FUG-050	Straight	black	PUR	4.5 mm	5 m
605-002-396	S12-4FUW-050	Right-Angle	black	PUR	4.5 mm	5 m
605-002-385	S12-4FUG-020	Straight	black	PUR	4.5 mm	2 m
605-002-387	S12-4FUG-100	Straight	black	PUR	4.5 mm	10 m
605-002-395	S12-4FUW-020	Right-Angle	black	PUR	4.5 mm	2 m
605-002-397	S12-4FUW-100	Right-Angle	black	PUR	4.5 mm	10 m
605-002-398	S12-4FUW-200	Right-Angle	black	PUR	4.5 mm	20 m
605-002-388	S12-4FUG-250	Straight	black	PUR	4.5 mm	25 m
623 100 031	S12-4FVW-020	right angle	black	PVC	5 mm	2 m
623 100 048	S12-4FVW-050	right angle	black	PVC	5 mm	5 m
623 100 049	S12-4FVW-100	right angle	black	PVC	5 mm	10 m
623 100 030	S12-4FVG-020	straight	black	PVC	5 mm	2 m
623 100 051	S12-4FVG-050	straight	black	PVC	5 mm	5 m
623 100 050	S12-4FVG-100	straight	black	PVC	5 mm	10 m
6605 002 319	S12-4FVW-150	right angle	black	PVC	5 mm	15 m
605 002 329	S12-4FVW-030	right angle	black	PVC	5 mm	3 m
6623 100 342	S12-4FVW-070	right angle	black	PVC	5 mm	7 m
623 100 344	S12-4FVW-080	right angle	black	PVC	5 mm	8 m

Note: additional suffix can appear to indicate a revision version or a special version.

\*\*other lengths upon request

Operators of the products we supply are responsible for compliance with measures for the protection of persons. The use of our equipment in applications where the safety of persons might be at risk is only authorized if the operator observes and implements separate, appropriate and necessary measures for the protection of persons and machines. Terms of delivery and rights to change design reserved. Please check our website for updates.