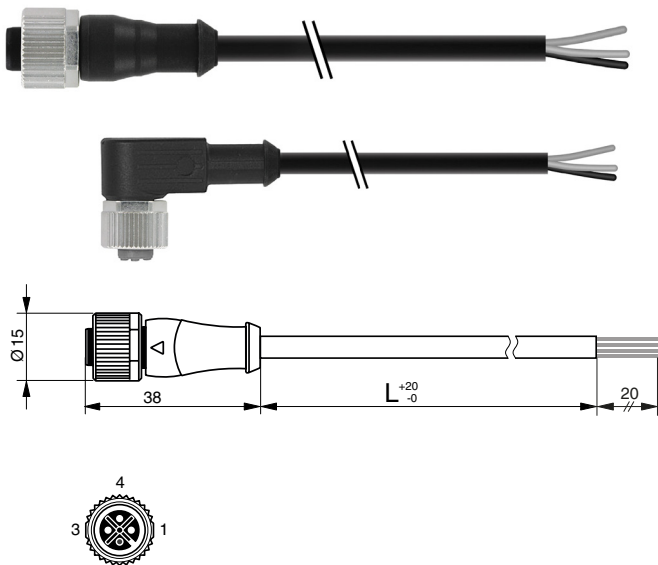
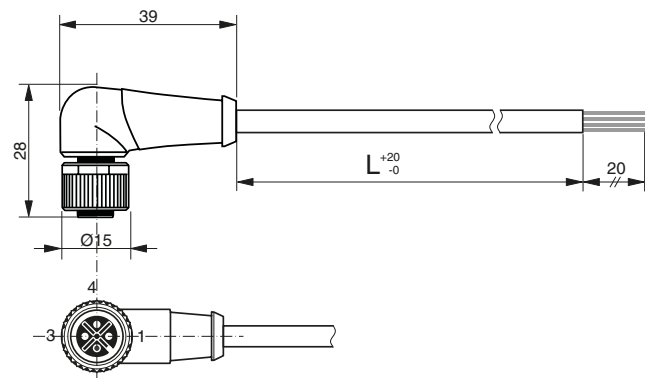


- ✓ Screw lock execution, M12 x 1 thread
- ✓ Straight or right-angle (90°) versions

- ✓ PUR cable, for oily environments or trailing chain



S12-3FxG-xxx



S12-3Fw-xxx

### TECHNICAL DATA\*

Jacket material	See table "Available types" below	Insulation group	IEC 60664-1, category I
Connector material	Nickel-plated zinc	Enclosure rating	IP 68 / IP 69K
Rated voltage	250 V AC/DC	Ambient temperature range	PUR: -25...+80°C (90°C max 10h) PVC: -5...+80°C
Rated current per contact	max. 4.0 A	Wire structure	0,34 mm <sup>2</sup>
Rated surge voltage	max. 2.5 kV	Tightening torque	0,6 Nm

### AVAILABLE TYPES

Part number	Part reference	Type	Cable color	Jacket material	Outer cable Ø	Length**
605-002-382	S12-3FUG-020	straight	black	PUR	4.1 mm	2 m
605-002-383	S12-3FUG-050	straight	black	PUR	4.1 mm	5 m
605-002-384	S12-3FUG-100	straight	black	PUR	4.1 mm	10 m
605-002-392	S12-3FUW-020	right-angle	black	PUR	4.1 mm	2 m
605-002-393	S12-3FUW-050	right-angle	black	PUR	4.1 mm	5 m
605-002-394	S12-3FUW-100	right-angle	black	PUR	4.1 mm	10 m
623 000 301	S12-3FVW-020	right angle	black	PVC	4.2 mm	2 m
623 000 313	S12-3FVW-050	right angle	black	PVC	4.2 mm	5 m
623 000 310	S12-3FVW-100	right angle	black	PVC	4.2 mm	10 m
623 000 302	S12-3FVG-020	straight	black	PVC	4.2 mm	2 m
623 000 303	S12-3FVG-050	straight	black	PVC	4.2 mm	5 m
623 000 304	S12-3FVG-100	straight	black	PVC	4.2 mm	10 m

Note: additional suffix can appear to indicate a revision version or a special version.

\*\*other lengths upon request

Operators of the products we supply are responsible for compliance with measures for the protection of persons. The use of our equipment in applications where the safety of persons might be at risk is only authorized if the operator observes and implements separate, appropriate and necessary measures for the protection of persons and machines. Terms of delivery and rights to change design reserved. Please check our website for updates.